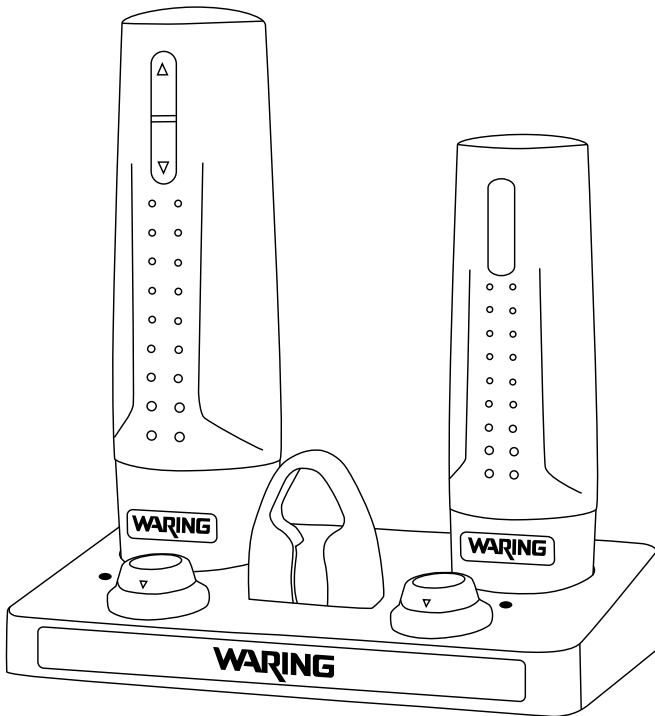


# WARING PRO<sup>®</sup>

## PROFESSIONAL WINE CENTER



WC400

For your safety and continued enjoyment of this product,  
always read the instruction book carefully before using.

# IMPORTANT SAFEGUARDS

When using electrical appliances, basic safety precautions should always be followed:

1. **READ ALL INSTRUCTIONS**
2. Do not operate an appliance with a damaged cord or plug, after the appliance malfunctions or if it has been dropped or damaged in any manner. Return appliance to the nearest Authorized Service Center or phone Waring Customer Service at 800-492-7464.
3. Extreme care should be taken when any product is used near children and individuals with certain disabilities. Keep out of reach of children when not in use.
4. DO NOT allow children access to the plastic packaging bags.
5. To protect against risk of electrical shock, do not put this appliance in water or other liquids. This may cause personal injury and/or damage to the product.
6. Never force the electric wine opener onto a bottle or attempt to speed up the mechanism. The electric wine opener will work best when it is operated at its intended speed.
7. Do not attempt to open bottles if the switch is not working correctly.
8. Check the household voltage to ensure that it matches the appliance's rated specification.
9. Always unplug the charger if you do not intend to use your wine opener and wine preserver for a long period. To disconnect from the power supply, grip the adapter and pull from the power supply. Never pull by the cord.
10. For indoor use only. Do not expose the appliance to rain or other extreme conditions.
11. Never put the unit or charger where it may fall into a sink or other water container. When not in use, always store in a dry area.
12. Do not place the unit in a dishwasher.
13. Do not attempt to open the electric wine opener, the wine preserver or the base. They have no serviceable parts.

Charge the appliance only by using the base and power cord supplied.

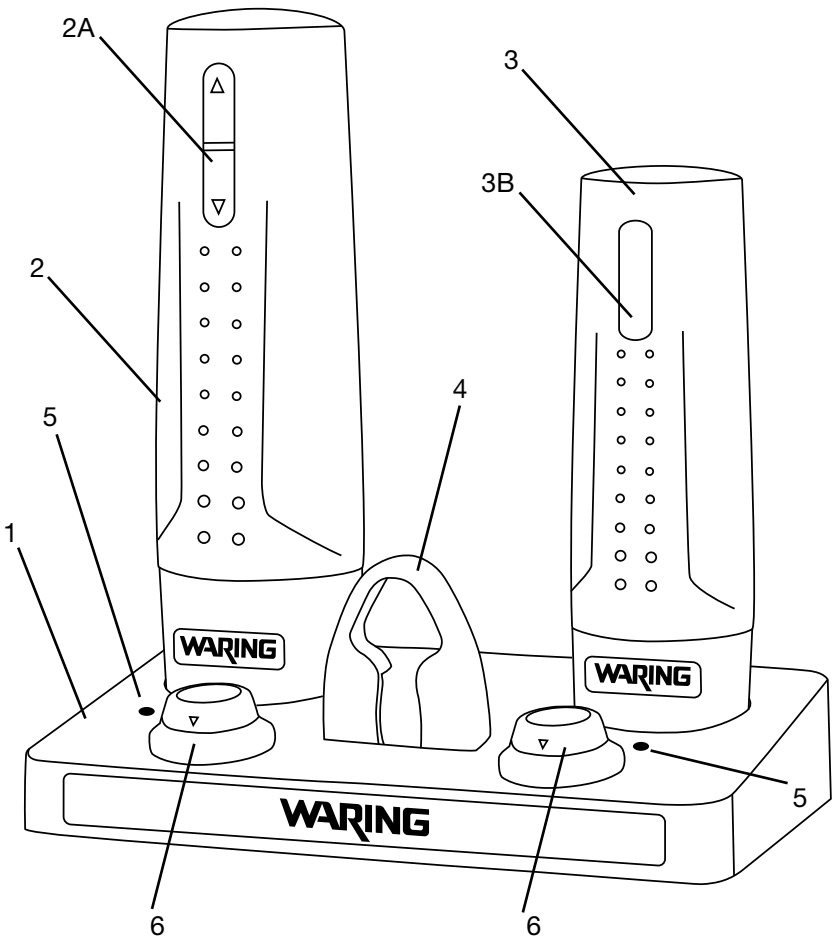
14. This product is intended for domestic use and not for commercial, industrial or outdoor use.
15. Do not let the power cord hang over the edge of a table or counter. Arrange the power cord away from an area where it may be tripped over.
16. Use of attachments not recommended or sold by Waring may cause fire, electrical shock, injury or damage to the product. Only use the power adapter supplied with this product.
17. Do not operate your appliance in an appliance garage or under a wall cabinet. **When storing in an appliance garage, always unplug the unit from the electrical outlet.** Not doing so could create a risk of fire, especially if the appliance touches the walls of the garage or the door touches the unit as it closes.
18. Do not place appliance on or near hot gas or electric burner or in a heated oven.
19. Do not put the appliance in or near fire.

## **SAVE THESE INSTRUCTIONS**

## **FOR HOUSEHOLD USE ONLY**

# PARTS

1. Charging base
2. Wine opener
  - A. Power Up/Down switch
3. Wine preserver
  - B. Power button
4. Foil cutter
5. Charging indicator lights (2)
6. Bottle stoppers (2)
7. Power adapter (not shown)



# OPERATING INSTRUCTIONS

## CONNECTION AND USE

We recommend charging the electric wine opener and wine preserver for at least twelve hours before first use.

## CHARGING YOUR APPLIANCE

Plug one end of the adapter cord into the back of the charging base and the other end into an electrical outlet. Position the wine opener and wine preserver in the designated spots on the charging base, making sure that they are firmly in position and fully engaged with the charging connection. If positioned properly, the charging indicator light will be illuminated. It will take approximately 8–10 hours to recharge your appliance. Your wine opener can open approximately 50 bottles of wine on a full charge.

## FOIL CUTTER

For your convenience, this unit has a removable foil cutter, which is stored in the base of the unit. Before removing the cork, you must remove any foil from the bottle. Attach foil cutter to the top of the wine bottle. Keep hand on lower part of the bottle and turn foil cutter with a twisting motion to remove foil. Remove foil to expose top part of cork surface.

**CAUTION:** Blade on foil cutter is sharp. Please keep fingers away from cutter's sharp edges.

## TO OPERATE YOUR WINE OPENER

Press the lower part of the switch (indicated by the down arrow) to remove a cork from the bottle. Press the upper part of the switch (indicated by an up arrow) to release a cork from the mechanism after you have removed the cork from the bottle.

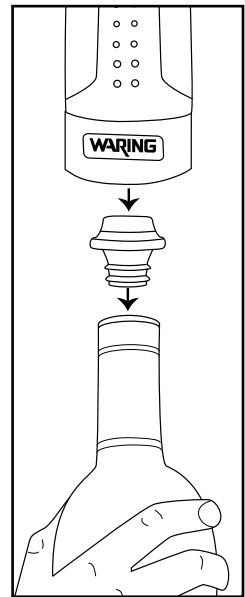
1. Place the wine opener on top of the wine bottle, making sure that it remains as straight/upright as possible at all times. If you hold the electric wine opener at an angle to the bottle, it will not remove the cork properly.
2. Hold the wine opener firmly and press the lower part of the switch, indicated by the down arrow. The corkscrew spiral

will turn in a counterclockwise direction and enter the cork, then gradually remove it from the bottle. When the electric mechanism has stopped, the cork has been fully removed from the bottle.

3. Lift the wine opener up and away from the bottle. To remove the cork, press the upper part of the switch as indicated by the up arrow. The spiral will turn in a clockwise direction and release the cork.
4. Always return the wine opener to the charging base when done. This will protect the unit while it is not in use.

## TO OPERATE YOUR WINE PRESERVER

1. Place the wine bottle on a flat surface.
2. Insert the wine stopper into the wine bottle.
3. Hold the wine stopper and wine bottle neck securely in one hand and place the non-slip foot of the wine preserver on the wine stopper.
4. Keep the wine preserver as straight as possible and in line with the wine bottle.
5. Push down on the wine stopper and press the power button at the same time.
6. The wine preserver begins to work, removing the air from the bottle while making a clacking noise.
7. The clacking noise will become slower and stop suddenly after approximately 20 seconds.
8. Do not release the power button until the unit stops.
9. Remove the wine preserver and replace on its stand in the upright position until it is needed again.
10. Always return the wine preserver to the charging base when done to protect it while not in use.
11. After sealing the wine bottle, store bottle in the upright position as wine may leak if its on its side.



**Note:** The non-slip foot may attach itself to the wine stopper. In this case, hold the wine stopper and the neck of the bottle securely in one hand and tilt the wine preserver away from the wine stopper to break the suction. This should prevent air from reentering the bottle. If in doubt, repeat the above operating process.

**Suggestion:** For more than half a bottle of wine remaining, one session should suffice. For less than half a bottle, we suggest you follow the steps above a second time.

## **DATE INDICATORS**

1. Use the arrow symbol to indicate the date when the bottle was sealed with your wine preserver.
2. Gently swivel the silver ring to the left or right until the correct date is in line with it.

## **TO OPEN A SEALED BOTTLE**

- Firmly hold the bottle in one hand and gently ease the wine stopper away from the bottle with the other hand.
- Store the wine stoppers in the charging base for the next time that you need them.

## **AFTER USE**

- We recommend that you return your appliance to the charging base so that it is fully charged and available for use at any time.

## **CLEANING & MAINTENANCE**

Always unplug the appliance from the main outlet before cleaning.

Make sure all the parts are clean and dry before storing.

To clean housing, wipe with a clean, damp cloth.

Never immerse power adapter, charging base or housing in water or any other liquids.

Never submerge the motor base in water or other liquids, or place in a dishwasher.

Any other servicing should be performed by an authorized service representative.

Trademarks or service marks of third parties used herein are the trademarks or service marks of their respective owners.

©2011 Waring Consumer Products  
150 Milford Road  
East Windsor, NJ 08520  
[www.waringpro.com](http://www.waringpro.com)

Printed in China  
WC400 IB  
11WR125108

IB-10823